

VOXVORTEX VOCAL NOISE DEVICE

VERSION: DEZEMBER 2024

MANUFACTURER/ RESPONSIBLE PERSON

TREMOR HEX KEVIN VOLLBRICH & NIELS BEYER GBR
TH/FX NOISEDEVICES
FALKENRIED 60
20251 HAMBURG
GERMANY

PRODUCT NAME/TYPE

„HARSH ANTI“
VOCAL NOISE DEVICE
MUSICAL INSTRUMENT

RISK ASSESSMENT

RISK OF ELECTRIC SHOCK: VERY LOW.
ONLY A CE-COMPLIANT POWER SUPPLY UNIT MAY
BE USED. THE APPLIANCE ONLY OPERATES AT
LOW VOLTAGE.

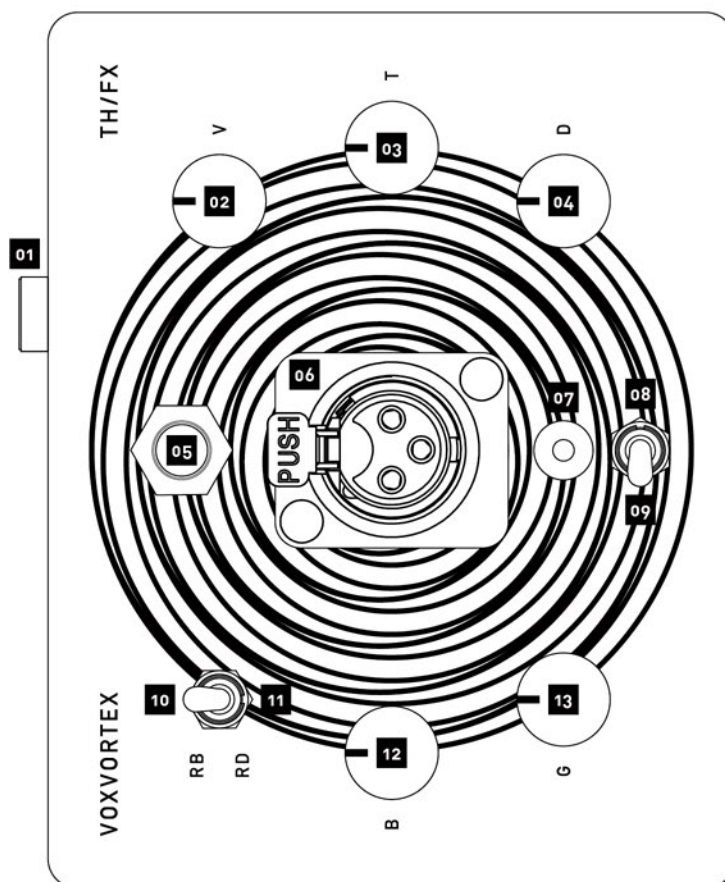
FIRE HAZARD: VERY UNLIKELY. PROTECTIVE DIODE
CAN BECOME HOT IF POLARITY IS REVERSED.

INGESTION OF SMALL PARTS: VERY LOW. DEVICE NOT
SUITABLE FOR CHILDREN.

PRODUCT COMPLIES WITH CE DIRECTIVES FOR
SMALL APPLIANCES.

WHAT IS WHAT?

01	DC 9V CENTER NEGATIVE INPUT
02	VOLUME POT
03	FUZZ TONE POT
04	FUZZ DISTORTION POT
05	6.35MM AUDIO OUTPUT
06	XLR 3-POL AUDIO INPUT
07	ON/OFF LED
08	ON/OFF SWITCH — POS. OFF
09	ON/OFF SWITCH — POS. ON
10	REVERB SWITCH POS. RB — BRIGHT REVERB
11	REVERB SWITCH POS. RD — DARK REVERB
12	REVERB BLEND POT
13	REVERB GAIN POT



 FOR DISPOSAL, OBSERVE THE LOCAL REGULATIONS.
DISPOSE OF ELECTRONIC COMPONENTS AND SPECIAL
MATERIALS SEPARATELY.

WEEE-ID: DE 32509512
CONTACT: THFXNOISEDEVICES.COM